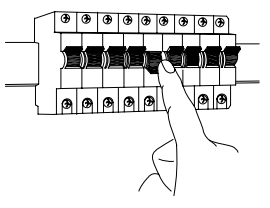
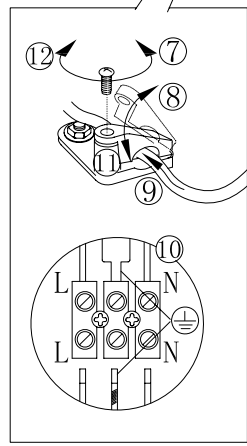
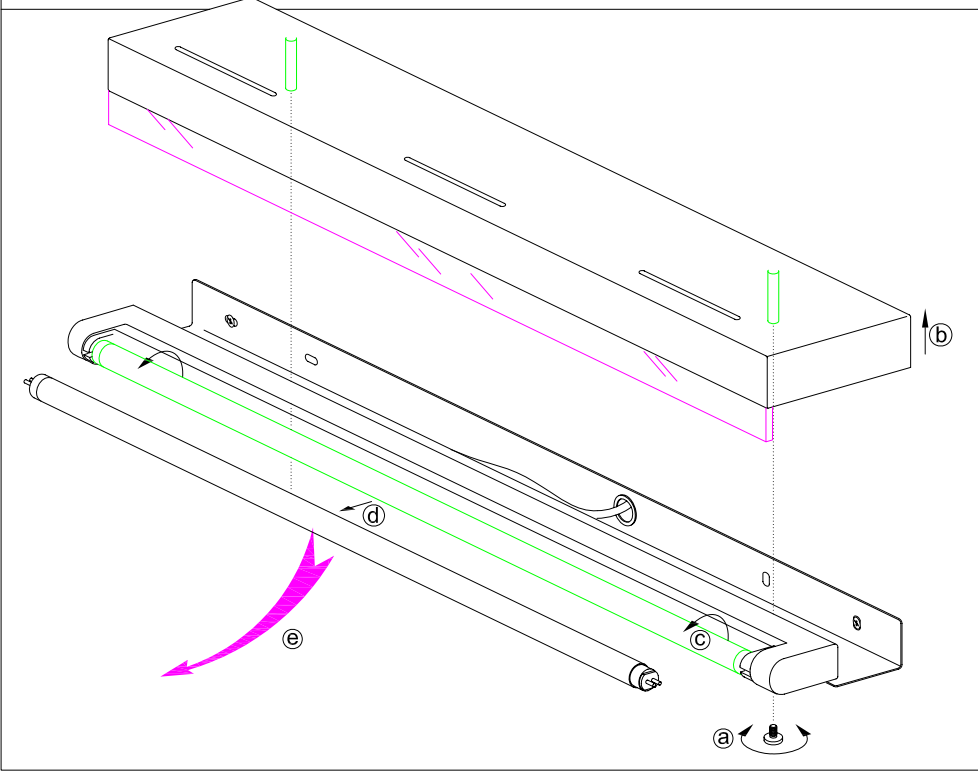
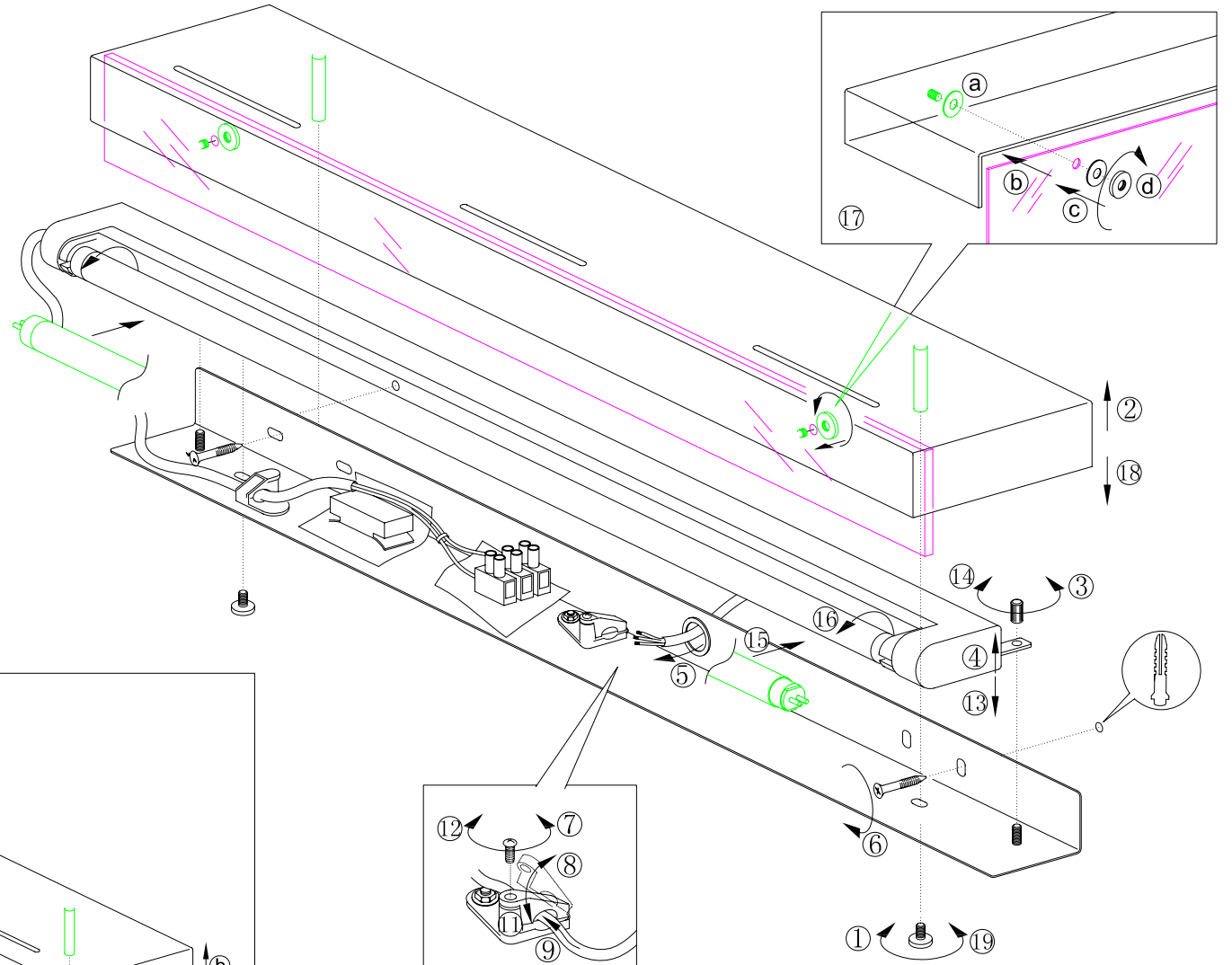
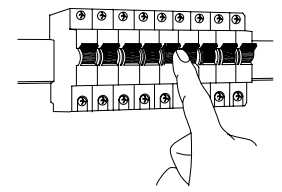


A

OFF

B

BLA88521-1

C

ON